

# Packaging Specification

## OnePack 1250 kg

Revision date 17 Jun 2019  
Page 1 of 1  
Date previous version -  
Version & language 1 - EN

### PACKAGING SPECIFICATION ONEPACK 1250 KG

Interested in solutions for bioplastics? Please contact us at  
[www.total-corbion.com](http://www.total-corbion.com) [pla@total-corbion.com](mailto:pla@total-corbion.com)

#### DESCRIPTION

Form-stable FIBC/Bigbag with bottom discharge.

#### MAIN MATERIAL

Outside bag: woven PP fabric, hoisting loops: woven PP.  
Inner liner: aluminium laminated PET foil to provide moisture barrier.

#### FILLING VOLUME

1250 kg of PLA pellets.

#### BIGBAG WEIGHT

5 kg.

#### BAG DIMENSIONS

Length: 104 cm, width: 104 cm, height: 170-180 cm excluding  
4 x corner loops (30 cm).

#### PALLET SIZE & WEIGHT

CP3 pallet (length: 114 cm, width: 114 cm, height: 13 cm). Pallet weight: 18 kg.

#### GROSS WEIGHT (BAG & PALLET)

1283 kg. 1 x form-stable Bigbag per pallet.

#### STACKING

No.

#### BASE SPOUT

Spout with length of 55 cm and diameter approx. 35 cm.

#### DISCLAIMER

No representation or warranty is made as to the truth or accuracy of any data, information or opinions contained herein or as to their suitability for any purpose, condition or application. None of the data, information or opinions herein may be relied upon for any purpose or reason. Total Corbion PLA disclaims any liability, damages, losses or other consequences suffered or incurred in connection with the use of the data, information or opinions contained herein. In addition, nothing contained herein shall be construed as a recommendation to use any products in conflict with existing patents covering any material or its use.

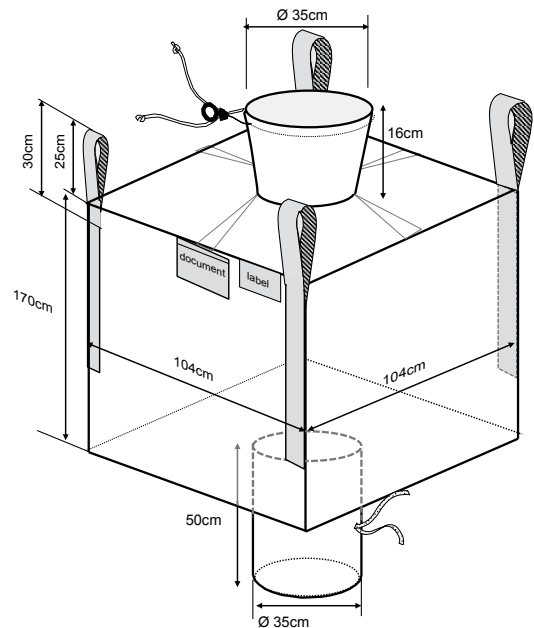


Figure 1: Diagram of OnePack 1250 kg